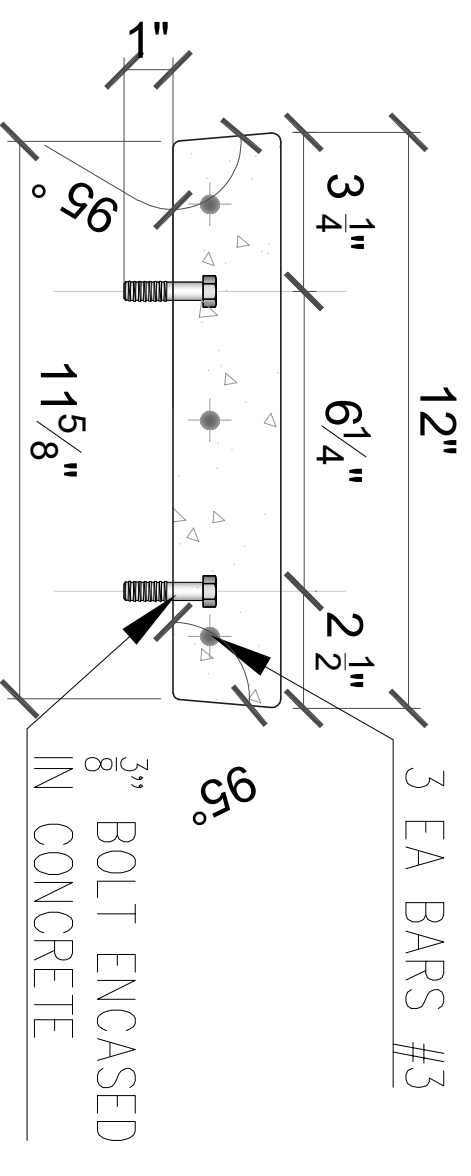


CASTMASTER PRECAST CONCRETE
41.5"X12"X2-1/4" W/ 3/8" BOLTS TREAD-BROOM FINISH
PRODUCT CODE: 41.5BF4



ALL DIMENSIONS ARE NOMINAL

CASTMASTER PRECAST CONCRETE

www.ConcreteTreads.net
info@FabMFG.net
901-286-1174

CUSTOMER:

QTY OF ORDERED: DATE ORDERED:

ORDERED BY: SIGNATURE:

DRAWN BY: JMMC UNITS IN

5000 PSI CONCRETE

THIS DRAWING AND ITS REPRODUCTIONS ARE THE PROPERTY OF FABRICATION MANUFACTURING AND MAY NOT BE REPRODUCED IN ANY WAY WITHOUT THE WRITTEN PERMISSION OF FABRICATION MANUFACTURING, LLC.