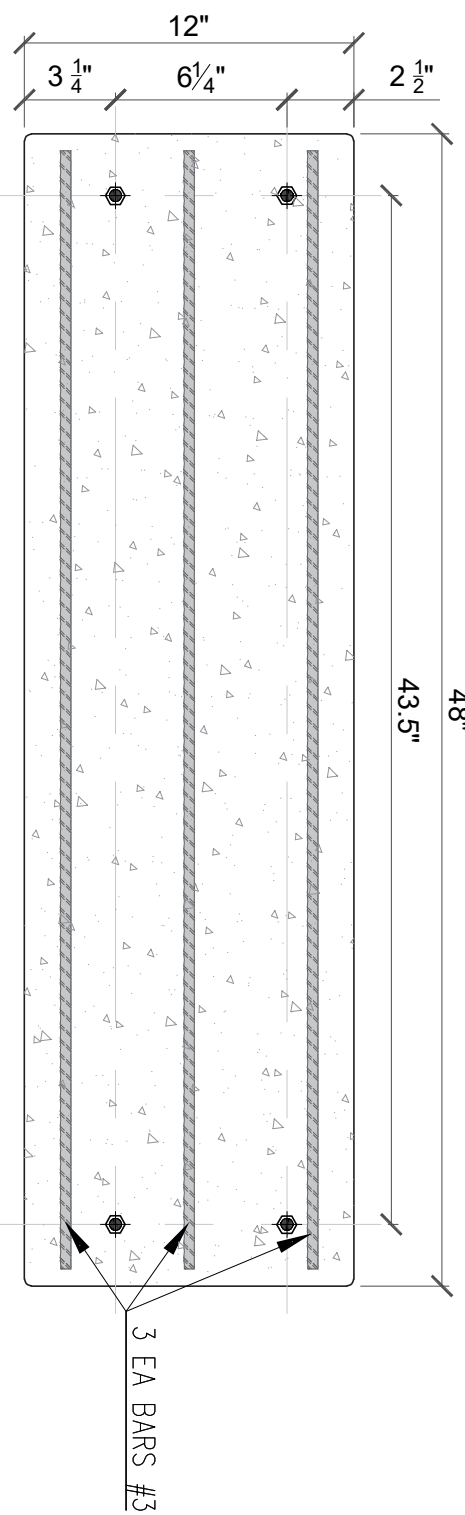
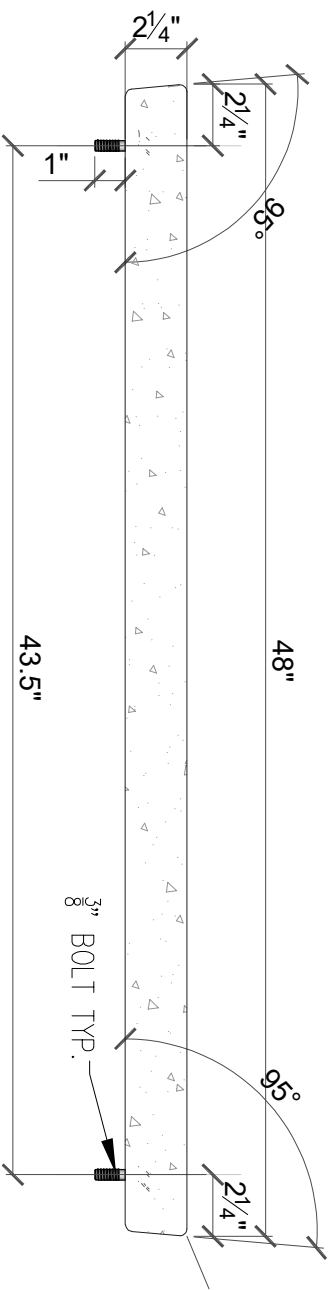


48" PRECAST TREAD-BROOM FINISH  
**TOP OF TREAD**

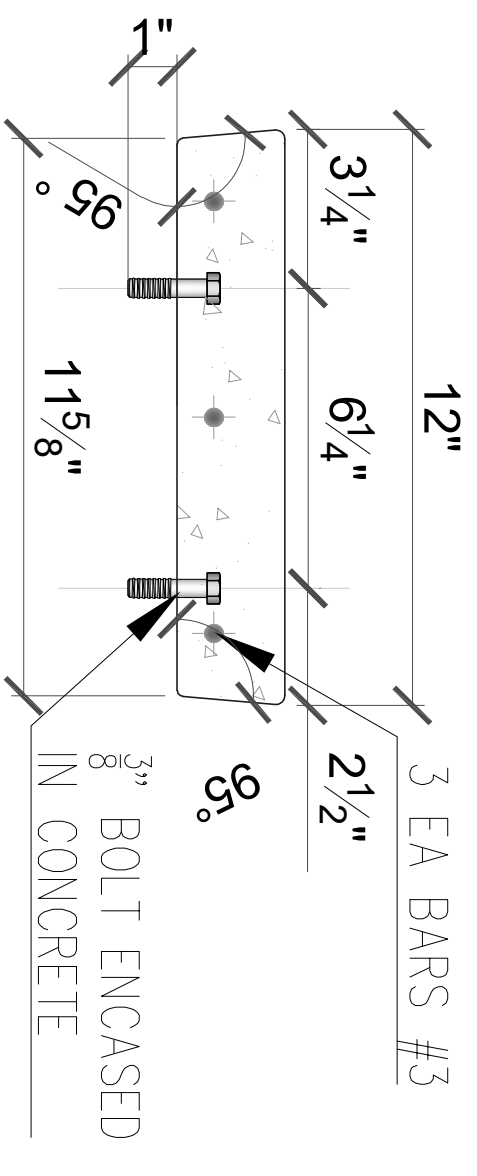


**BOTTOM OF TREAD**



**TYPICAL FRONT VIEW OF TREAD**

**CASTMASTER PRECAST CONCRETE**  
**48"X12"X2-1/4" W/ 3/8" BOLTS TREAD-BROOM FINISH**  
 PRODUCT CODE: 48BF4



**STANDAR TREAD SECTION**

**CASTMASTER PRECAST CONCRETE**

www.ConcreteTreads.net  
 info@FabMFG.nett  
 901-286-1174

COSTUMER:

QTY OF ORDERED: DATE ORDER:

ORDERED BY: SIGNATURE:

DRAWN BY: UNITS  
 JM/MC IN

ALL DIMENSIONS ARE NOMINAL

**5000 PSI CONCRETE**

THIS DRAWING AND ITS REPRODUCTIONS ARE THE PROPERTY OF FABRICATION MANUFACTURING AND MAY NOT BE REPRODUCED IN ANY WAY WITHOUT THE WRITTEN PERMISSION OF FABRICATION MANUFACTURING, LLC.